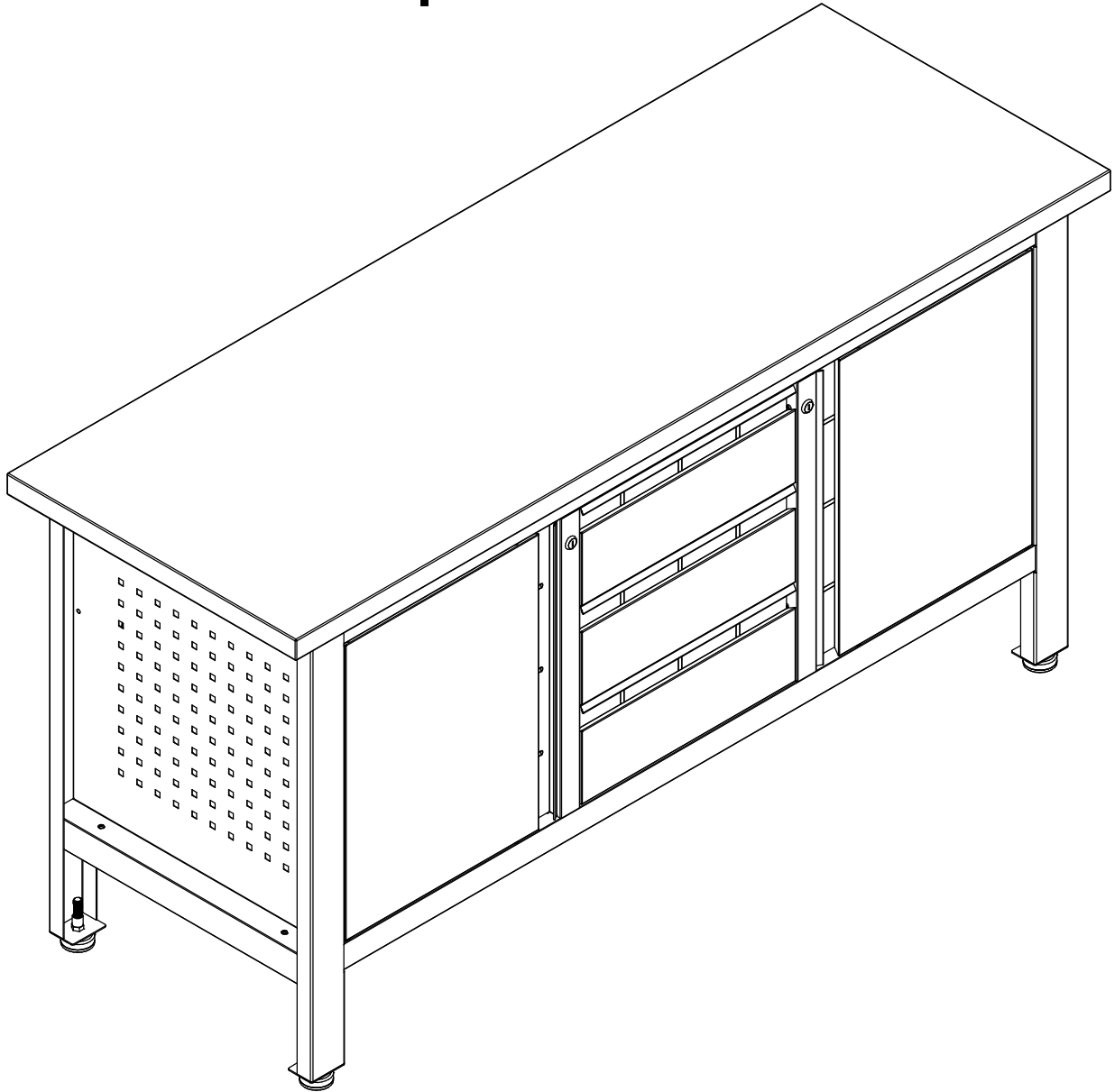


# **GARAGEKILLAR**

## **ASSEMBLY INSTRUCTIONS**

**Workbench Triple Size 2 Door / 3 Drawers**

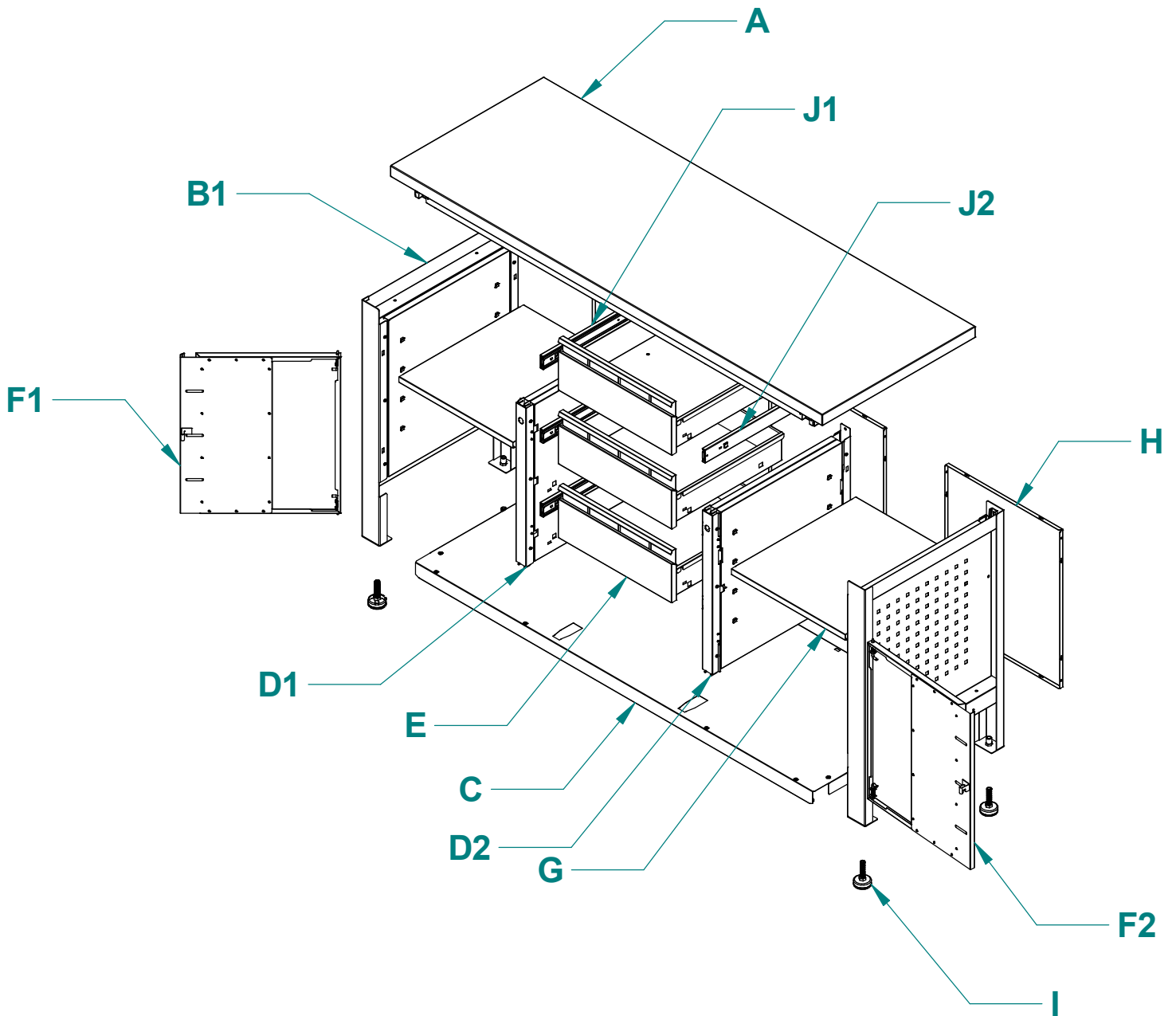


***GK-TSWB2D3D***

**CAUTION:**

**Read all instructions and safety tips before using this product.**

# PARTS LIST



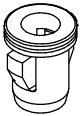
Part	Description	Quantity	Part	Description	Quantity
A	Top	1	F2	Right Door	1
B1	Side	2	G	Shelf	2
C	Bottom	1	H	Back	3
D1	Left Support	1	I	Leg Leveler Assembly	4
D2	Right Support	1	J1	Left Slide	3
E	Drawer	3	J2	Right Slide	3
F1	Left Door	1			

# HARDWARE CONTENTS

Part	Description	Quantity	Part	Description	Quantity
a	Bolts ST5x12 mm	12+2			
b	Plastic Pin	8			



Ⓐ 12+2pcs



Ⓑ 8pcs

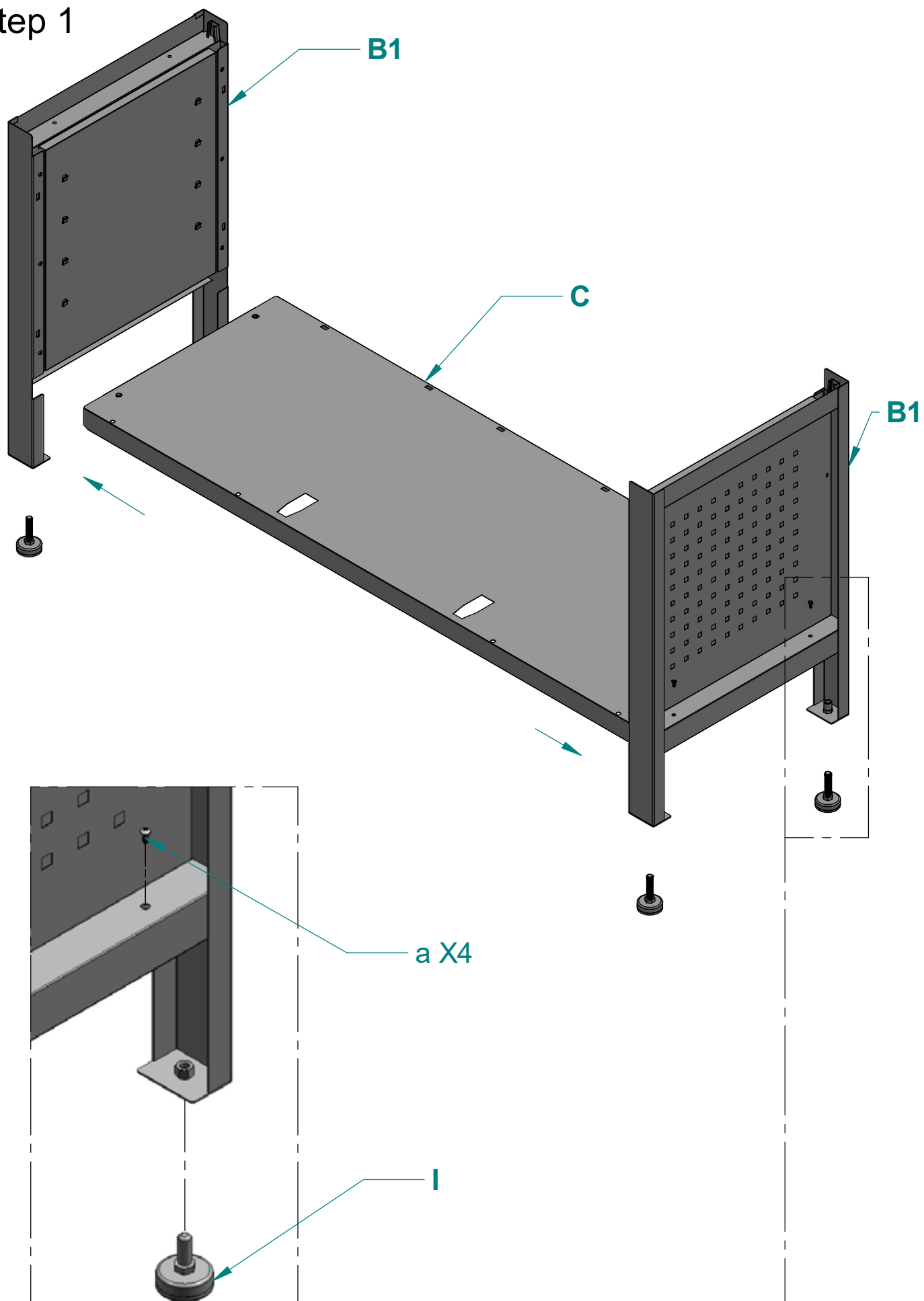
## CAUTION

1. Before assembling parts, please check the parts quantity according to the PARTS LIST.
2. Carefully unpack and spread out all parts in a large uncluttered area.
3. Familiarize yourself with all parts and compare them with the drawing below to make sure none are missing. Read all assembly instructions before beginning.
4. Start assembly of cabinet following steps 1 to 7 as shown in drawings.

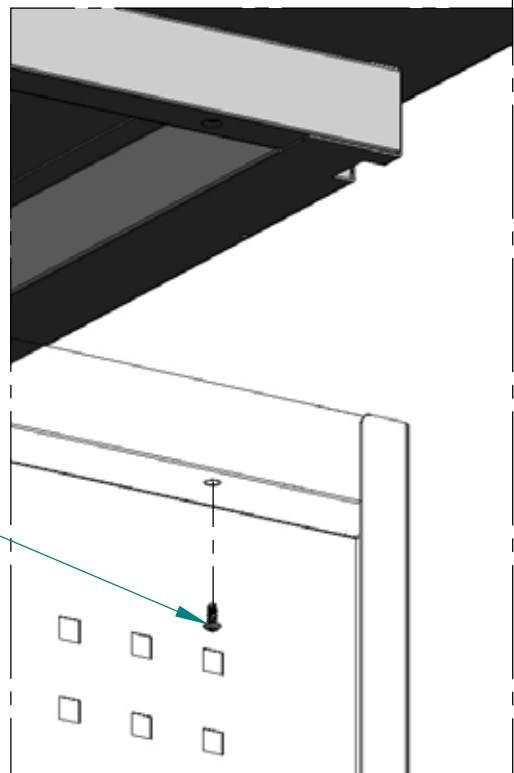
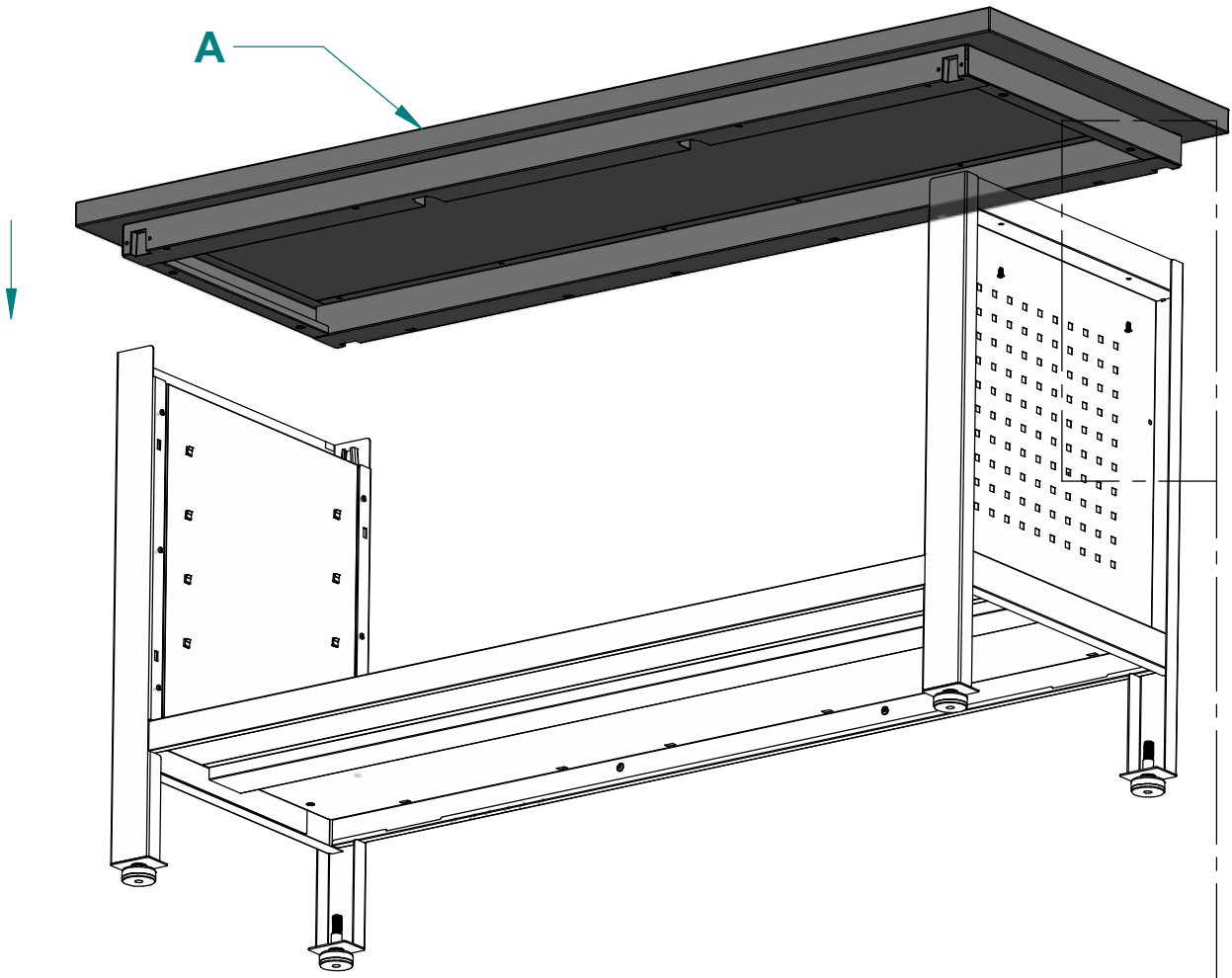
## WARNING

1. Close doors and drawers before moving.
2. Do not stand on the product. You may fall which may cause personal injury.
3. Do not mount the product on truck bed or any other moving object.
4. Do not climb on, in or around. Keep away from children.

※ Step 1



※ Step 2

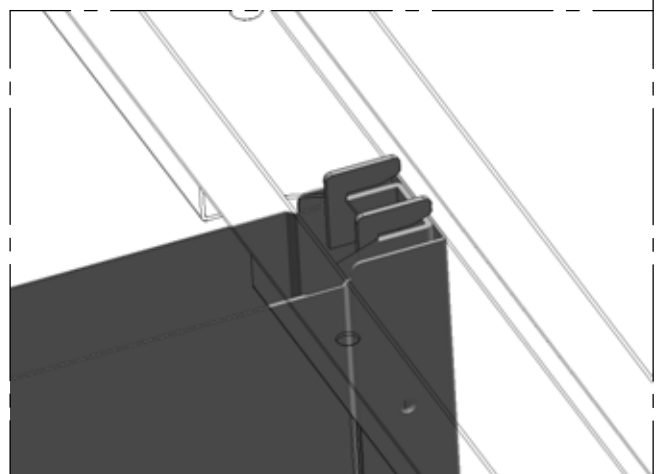
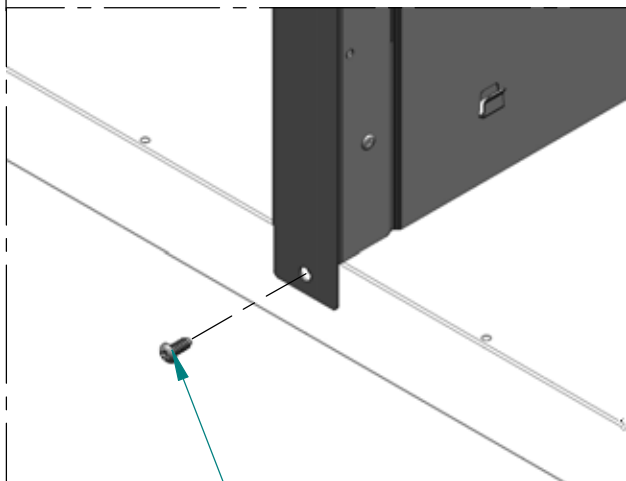
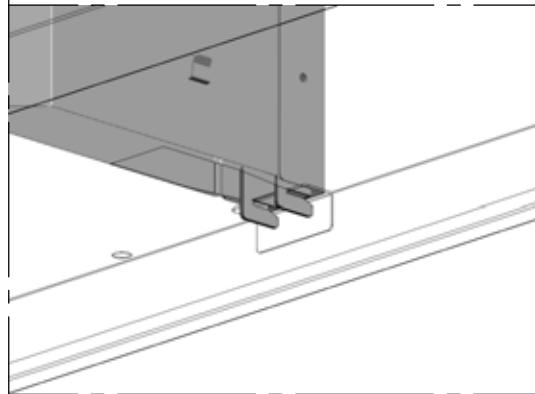
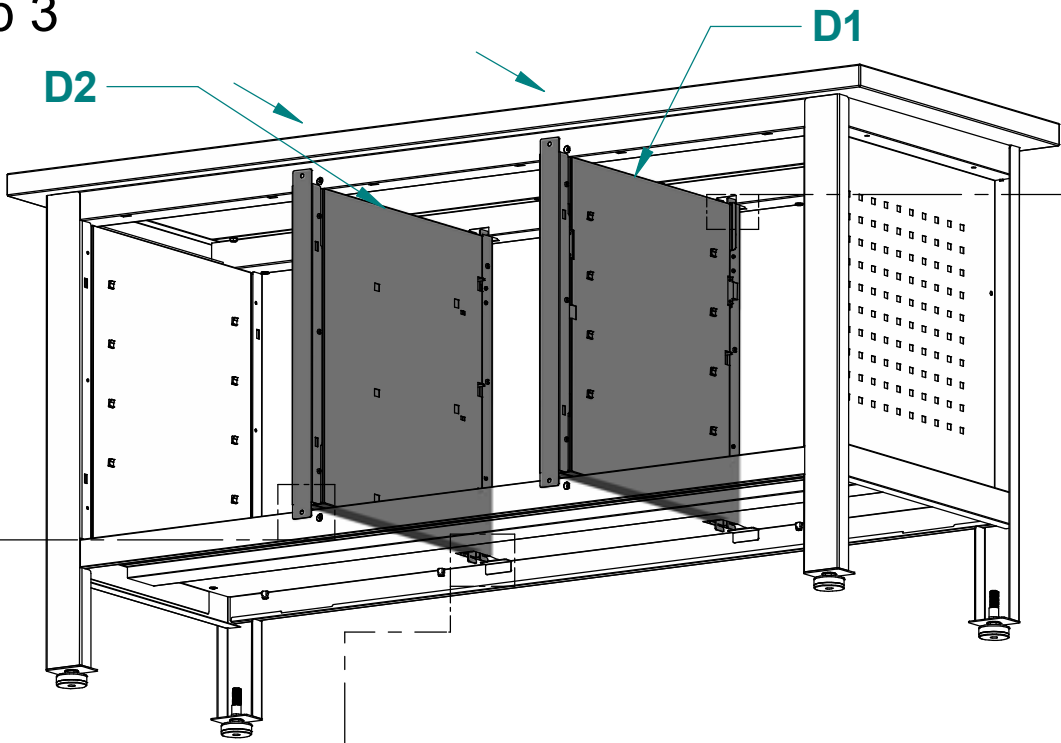


a X4

※ Step 3

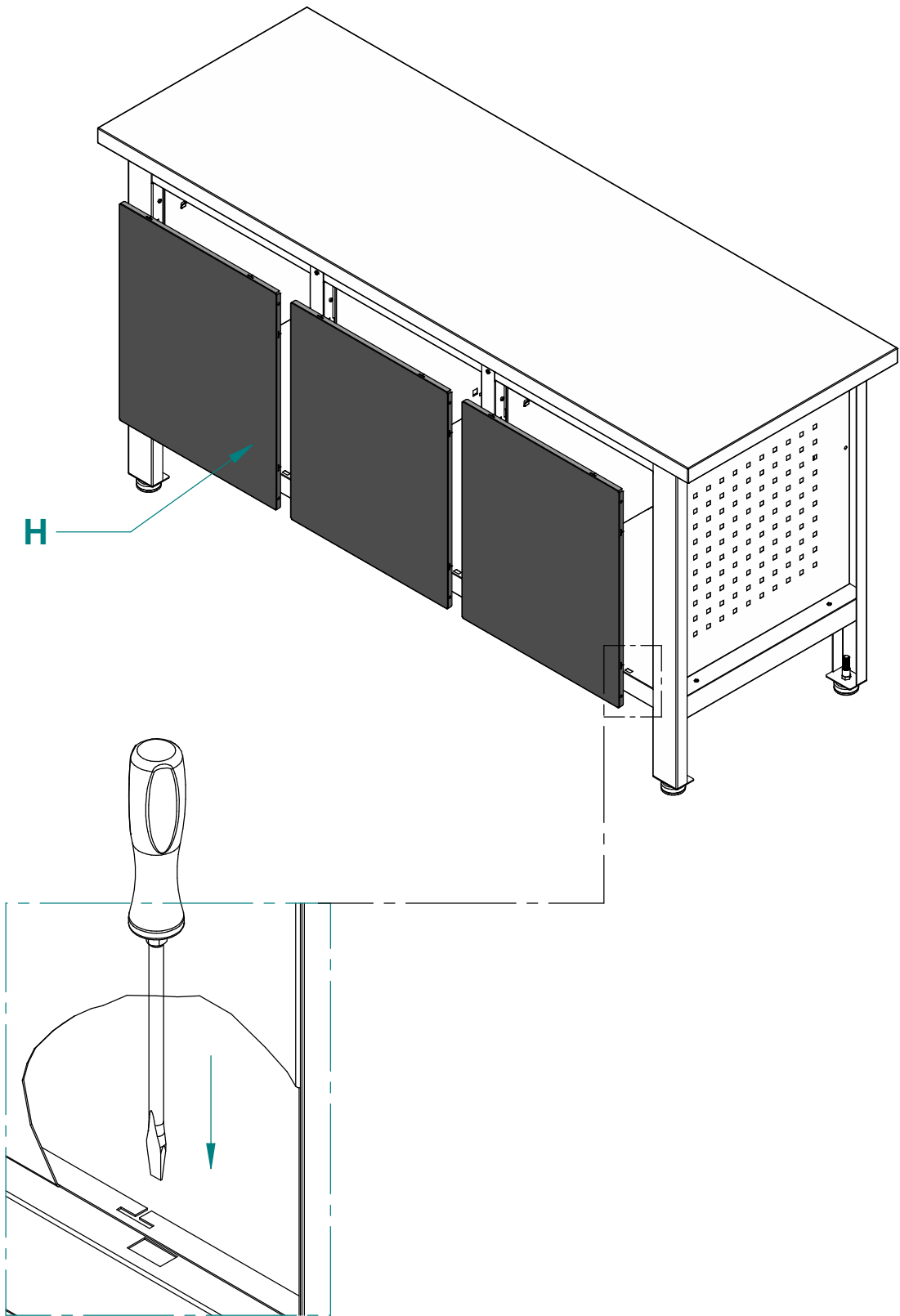
D2

D1



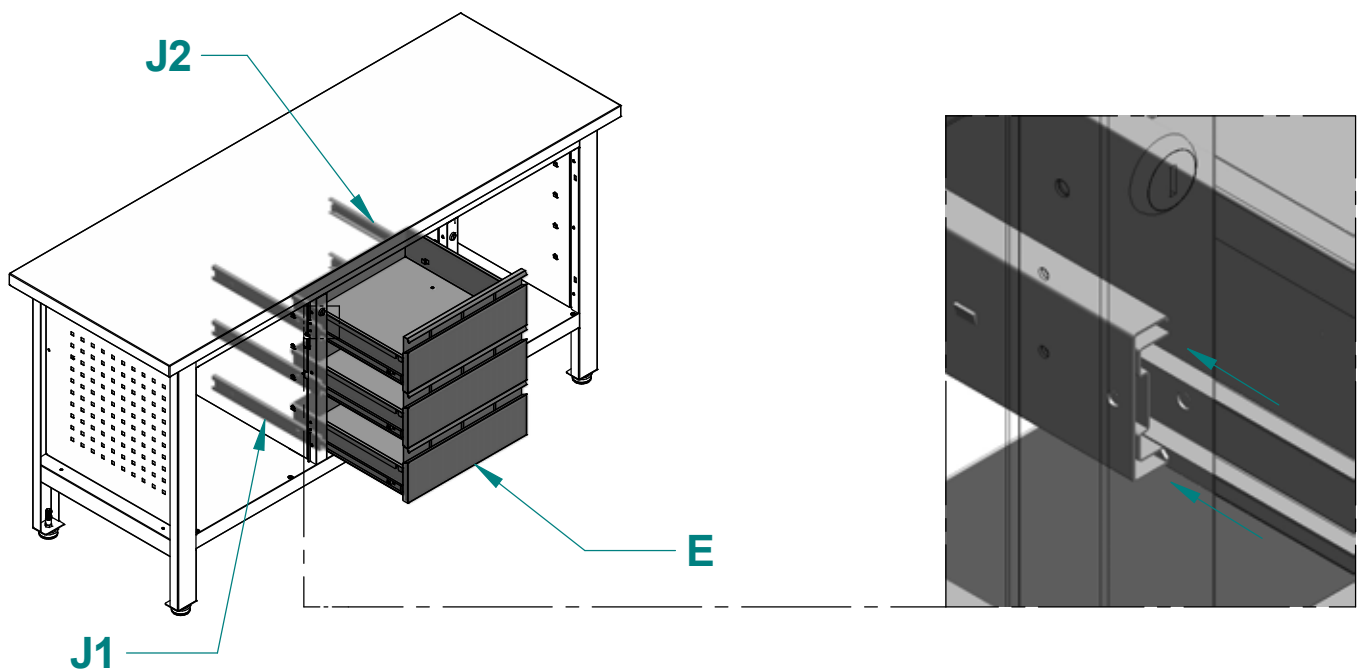
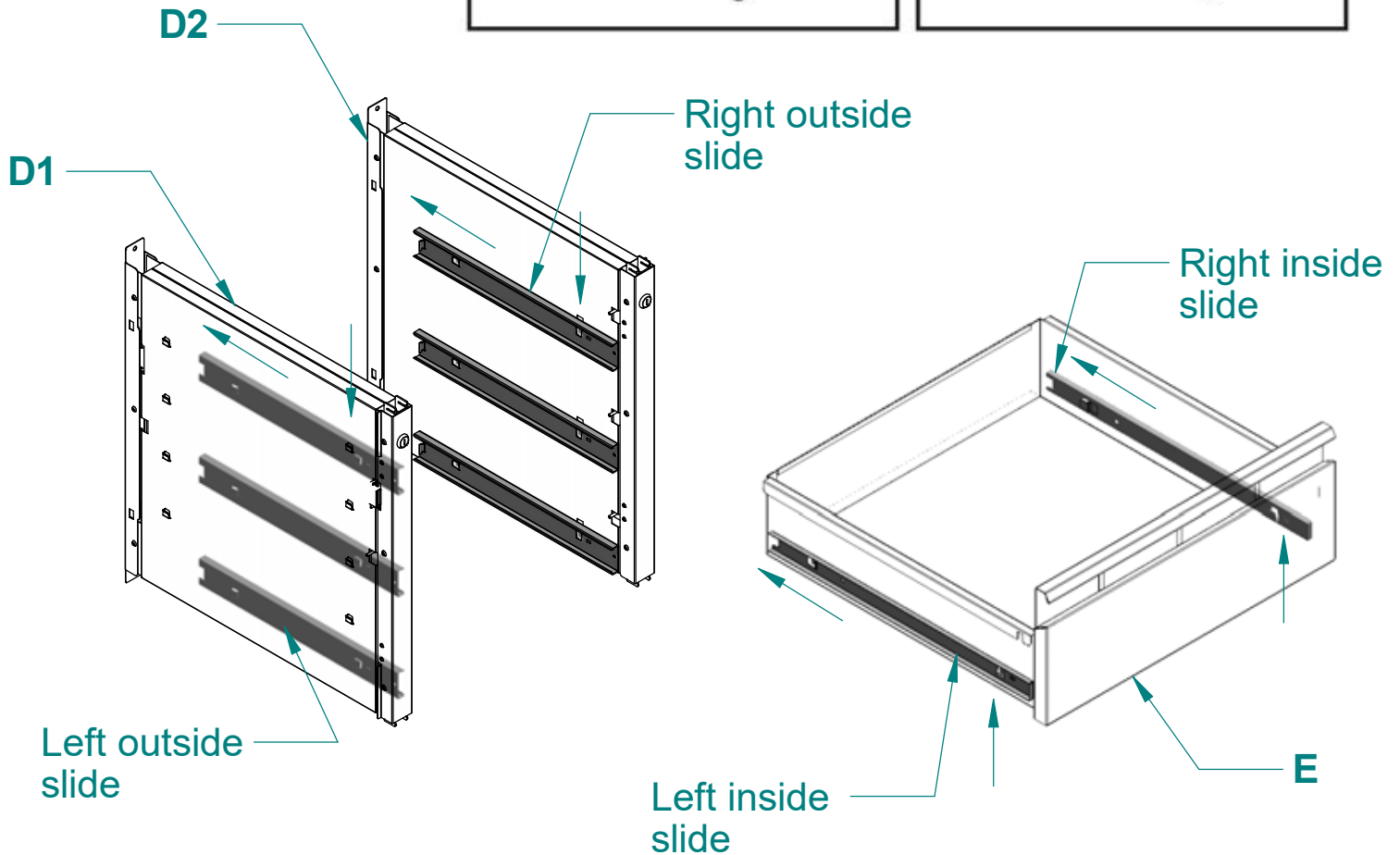
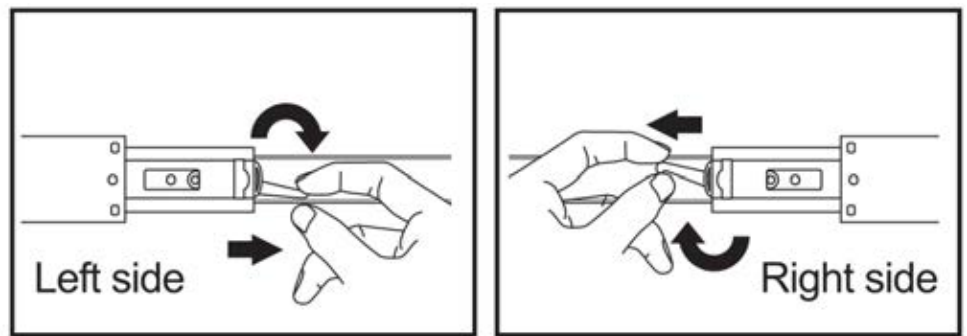
a X4

※ Step 4



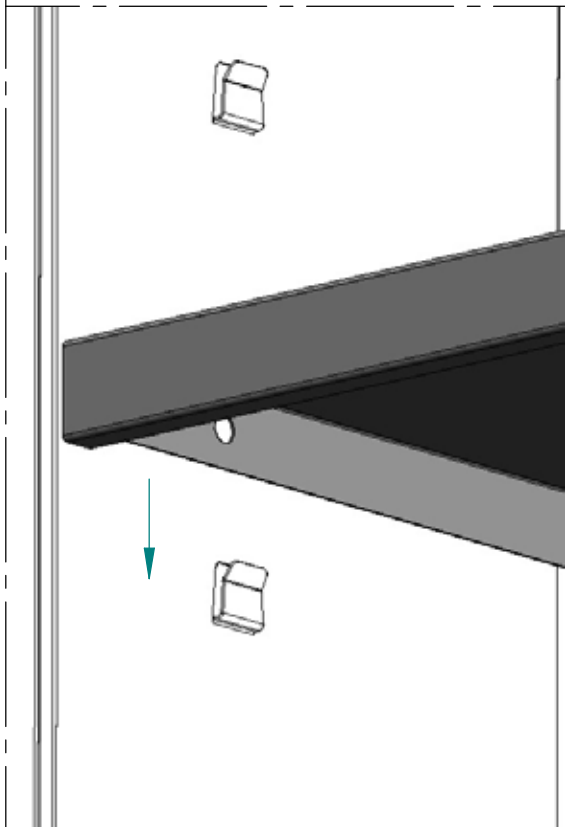
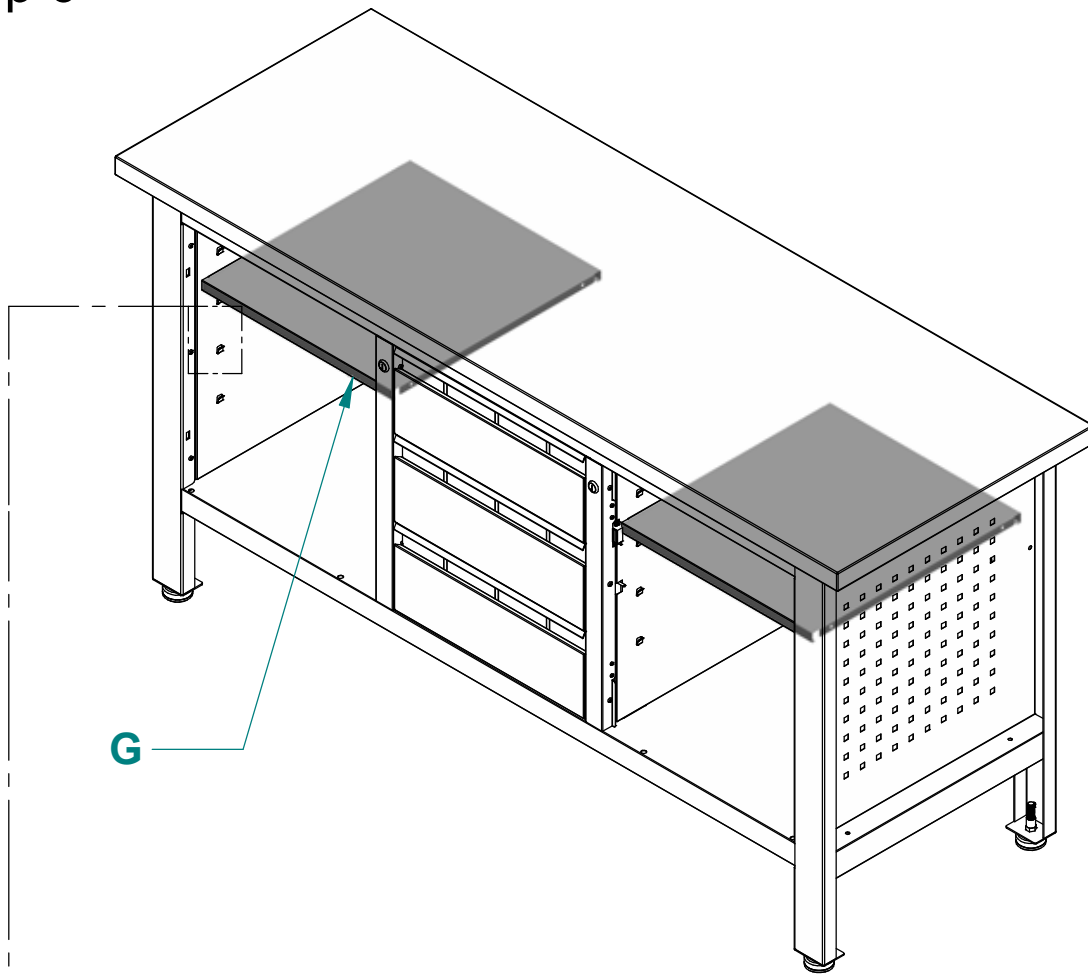
## ※ Step 5

Flick the plastic clips on the inside slide to detach the inside slide from the outside slide.





※ Step 6



※ Step 7

